



# GS & GS Deluxe Dental System Manual



**iM3 Inc**  
12119 NE 99th Street Suite 2060  
Vancouver WA 98682 USA  
Tel (360) 254 2981 Fax (360) 254 2940

**iM3 Pty Ltd**  
9/31-33 Chaplin Drive  
Lane Cove NSW 2066 Australia  
Tel (02) 9420 5766 Fax: (02) 9420 5677

**Web Site: [www.im3vet.com](http://www.im3vet.com)**  
**E-Mail: [inquiries@im3vet.com](mailto:inquiries@im3vet.com)**

## TABLE OF CONTENTS

Table of contents	2
iM3 GS Unique Design Features.....	3
iM3 GS Control Panel Guide.....	4
iM3 GS Deluxe Control Panel Guide.....	5
Rear of iM3 GS & GS Deluxe.....	6
Getting Started .....	7-8
iM3 Distilled Water and CLS Enviro Solution Supply.....	9
Ultrasonic Scaler Coolant Outlet.....	10
iM3 Filtration System.....	10
CLS Flushing System.....	10&21
3 Way Air Water Syringe.....	11
iM3 Low Speed Handpiece and Attachments.....	12-14
iM3 High Speed Handpiece .....	15
High Speed Handpiece optional LED light upgrade .....	16
iM3 Dental System Bur Kits and Rodent Kits.....	17
Handpiece Pressure Adjustment.....	18
Handpiece Lubrication.....	19
Handpiece Sterilization and the need to Flush HP Air Lines .....	20-21
Handpiece Maintenance.....	22
Silent Hurricane Compressor and Motor .....	
Operating Instructions.....	23
Identifying Air Leaks.....	23
Compressor Component Details.....	24
Adjusting Regulator Pressure.....	25
Silent Hurricane Compressor Maintenance.....	26
<b>Trouble Shooting;</b>	
Cartridge Toggle switches .....	27
High Speed Handpiece .....	28
Low Speed Handpiece .....	28

### iM3 Operator Safety

**Im3 Dental equipment should be operated by a qualified person—for animal use only**

For operator safety, it is recommended that safety goggles  
or visor, face mask and surgical gloves be worn  
during all procedures.



**Visit Our Web Site: [www.im3vet.com](http://www.im3vet.com)**

## Unique Design Features

iM3 Dental Systems are designed with unique and practical features to make your work even more satisfying and productive. Please note; some features listed below, may be optional depending on the system you purchase.

### Control Top

The Corian® top is a non-porous work surface which is easy to sanitize. It incorporates a groove around the edge to prevent burs falling on the floor during procedures. The control box is made from powder coated aluminum that won't warp or deteriorate with age.

### Color Coded System

All supply lines on iM3 dental systems are color coded to simplify service and maintenance requirements.

### Maintenance Instructions

All maintenance instructions are conveniently printed on the card hanging from the unit, or printed on the back of the dental machine ensuring the system is kept in perfect working order.

### Power Board

A four socket electric power board is conveniently located on the side of the control panel, featuring an IEC female socket. (Optional on the GS, standard on the Deluxe)

### Adjustable Stainless Steel Stand

The iM3 stand is made from high quality stainless steel and is height adjustable for work and ease of storage. (Optional on the GS, standard on the Deluxe)

### Ultrasonic Scaler Coolant Outlet

The ultrasonic scaler coolant outlet is mounted conveniently on the rear of the control box, to allow the use of the water or system to supply the coolant to your ultrasonic dental scaler.

### CLS Enviro System

CLS Enviro System is an ingenious occupational health and patient safety system. CLS is designed to help reduce the risk of atmospheric pollution and the transfer of viruses, such as FIV from patient to patient and reduce unpleasant mouth odors. (Optional on the GS, standard on the Deluxe)

### Flush System—Optional on the GS, standard on the GS Deluxe

The Flush System enables CLS at a press of a button, to enter the HS air line. The foot control pedal is depressed after pressing the flush button, pushing the CLS into the head of the handpiece, helping to sanitize the turbine and head of the handpiece. Excess CLS is caught in the small collection bottle mounted underneath the control box after flushing the exhaust air line.

### Particle Filters and Bacterial Filters

Particle filters and bacterial filters are installed on all iM3 dental systems to help reduce particles entering the water supply and reduce unpleasant environmental odors from the HP exhaust collection bottles.

### Options

#### Stainless Steel Instrument Tray

Height adjustable and mounts on the rear of the unit, standard on the Deluxe.

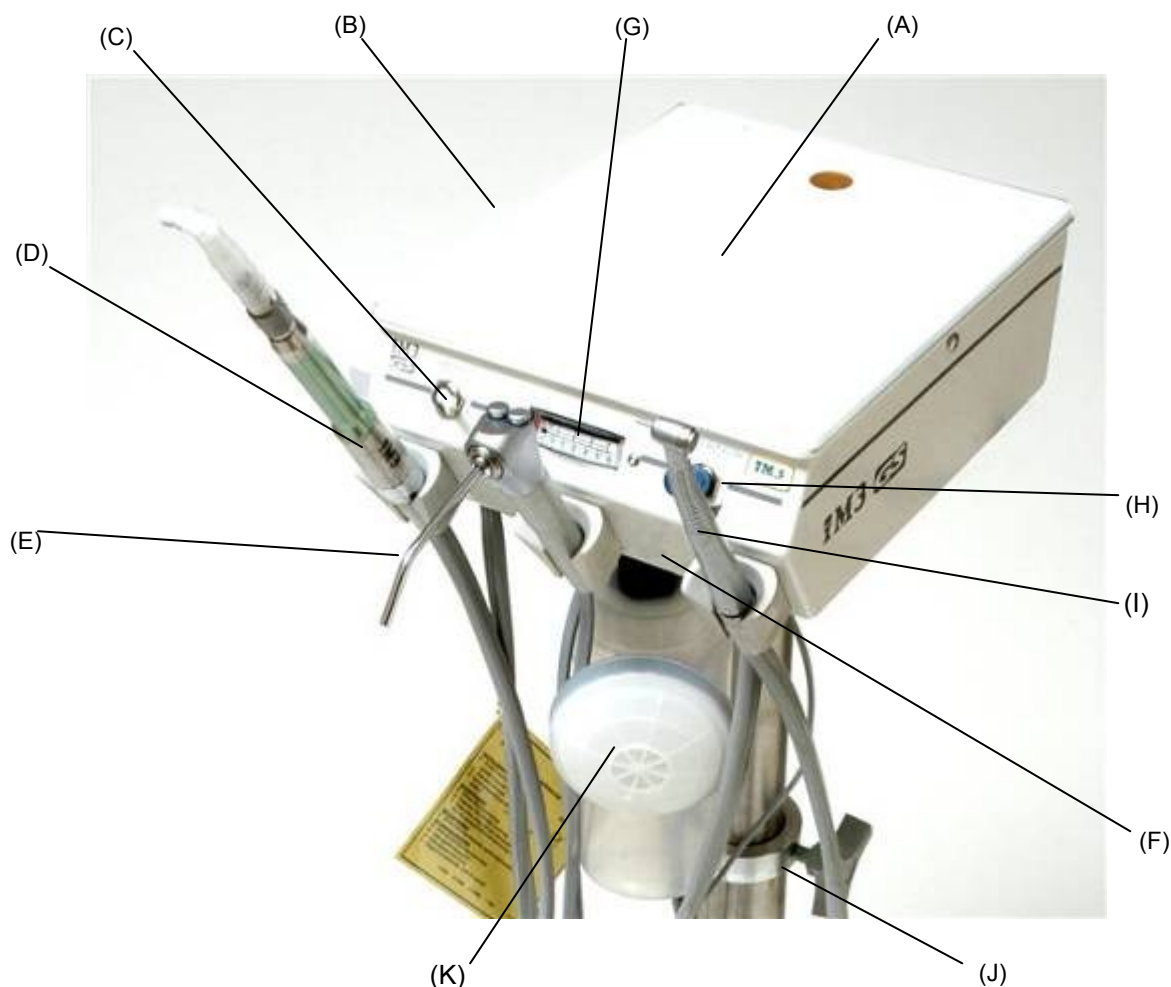
#### Oil Free Silent Hurricane Compressor

Mounts underneath the unit on the stainless steel stand—supplying air wherever the unit is to be used, and is considered more convenient than a noisy compressor which is usually situated in another room and requires a length of air line. iM3's has produced an Oil free compressor - low maintenance, oil free air.

#### iM3 LED Advantage High Speed Handpiece

The self-generated LED provides daylight-quality, neutrally-coloured white light at 22,000 Lux. Patented Hygiene system, prevents the suck back of aerosols and micro-particles into the turbine. LED's offer a robust, long lasting Light source that barely heat up, are shock resistant and that do not emit any harmful IR and UVA rays.

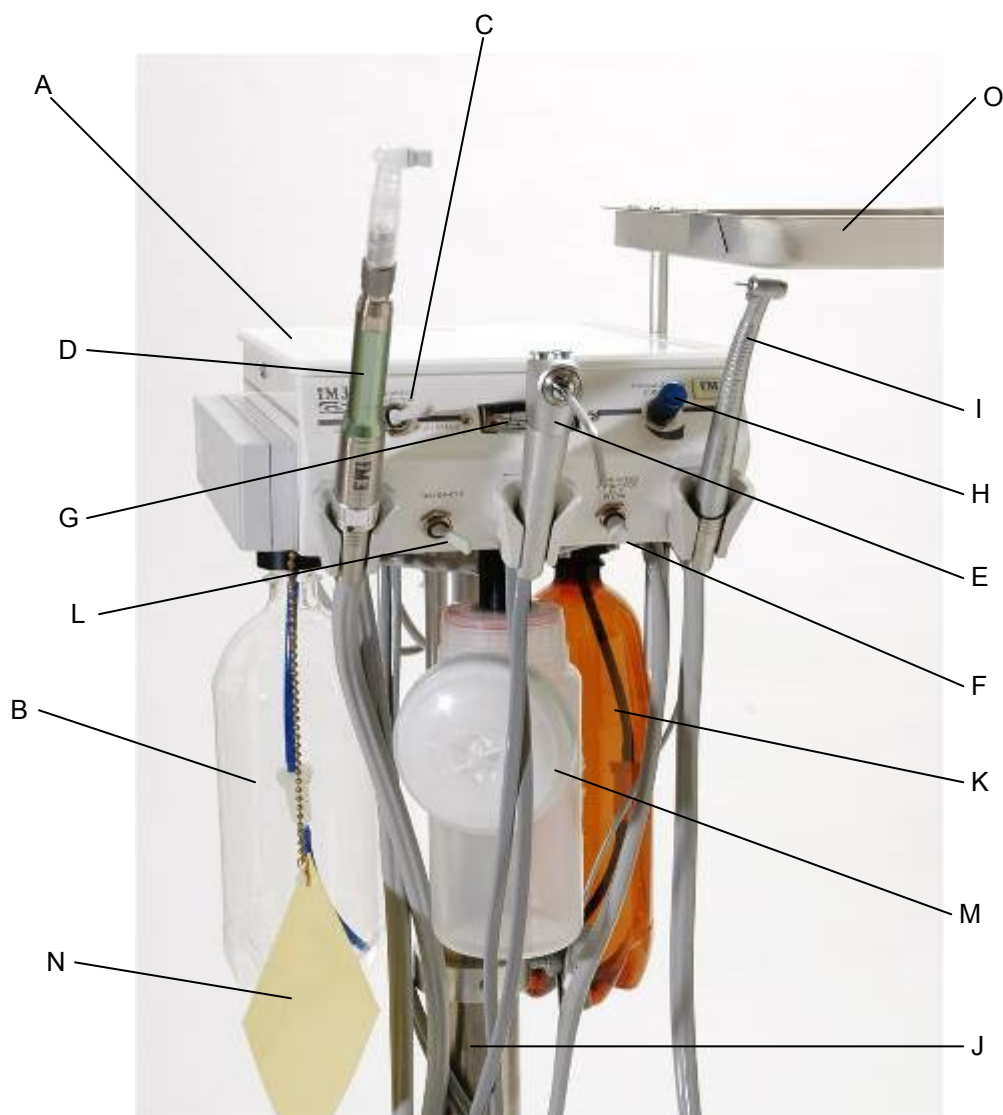
## iM3 GS Control Panel



- (A) Corian® Work Surface with Bur groove around the edge, to prevent them falling on the floor.
- (B) Amber coolant reservoir with particle filter. The amber bottle allows the use of CLS, which is light sensitive (contains chlorhexadine) or distilled water. Located at the back of the unit.
- (C) Handpiece Selector switch, selects either the Low speed or the High Speed Handpiece.
- (D) Advantage Low Speed Handpiece – used for polishing.
- (E) 3 way syringe – air, water, or mist when both buttons are pressed together. When used with CLS it will help sanitize the mouth and reduce mouth odour during procedures.
- (F) Provision for CLS handpiece flush system. (standard on the GS Deluxe)
- (G) Pressure gauge for checking handpiece pressure.
- (H) Coolant Flow Control – regulates the amount of liquid to the high speed bur.
- (I) Advantage High Speed Handpiece for high speed cutting, also available with LED lights.
- (J) Choice of Stand – Air operated long reach wall arm & Stainless Steel height adjustable floor stand.
- (K) Exhaust collection bottle for high and low speed handpieces

iM3 is a licensed trademark of iM3 Inc. Corian® is a registered trademark of the DUPONT Company

## iM3 GS Deluxe Control Panel



- (A) Corian ® Work Surface with Bur groove around the edge, to prevent them falling on the floor.
- (B) Clear coolant reservoir with particle filter.
- (C) Handpiece Selector switch for the selection of low speed or High Speed Handpiece.
- (D) Advantage Low Speed Handpiece – used for polishing.
- (E) 3 way syringe – air, water, or mist when both buttons are pressed together. When used with CLS it will help sanitize the mouth and mask mouth odours.
- (F) High speed CLS handpiece flush system.
- (G) Pressure gauge for setting handpiece pressure.
- (H) Coolant Flow Control – regulates the amount of liquid to the high speed bur.
- (I) Advantage High Speed Handpiece – for high speed cutting – also available with LED lights.
- (J) Choice of Stand – Wall mounted air activated arm and Stainless Steel Height adjustable stand.
- (K) The amber bottle allows the use of CLS, which is light sensitive (contains chlorhexadine)
- (L) Water/CLS selector toggle.
- (M) Exhaust bottle for High and Low speed handpieces and CLS flush.
- (N) Maintenance Instructions. New GS machines have the maintenance printed on the back of the machine.
- (O) Height adjustable Stainless Steel instrument tray

## REAR OF iM3 GS & Deluxe



(1) Coolant Bottle Pressure Switch

(2) Ultra Sonic Coolant Outlet

(4) PET Pressure Coolant Bottle amber (GS Deluxe only)

(3) PET Pressure Coolant Bottle (amber on GS clear on GS Deluxe)

(1) With the coolant bottle pressure switch in the "ON" position, the bottle will be pressurized to 35PSI (approx. 2.5 bar) to supply water/CLS to the 3 way syringe and the High Speed Handpiece. It must be switched to the off position to release the pressure before re filling the bottle.

(2) Ultra Sonic Coolant outlet – This will supply pressurized water/CLS to your ultrasonic dental scaler – A male fitting can be supplied by iM3 for your ultrasonic scaler water line. DO NOT use any coolant other than distilled water or CLS – any other solution may cause a blockage and will void your warranty.

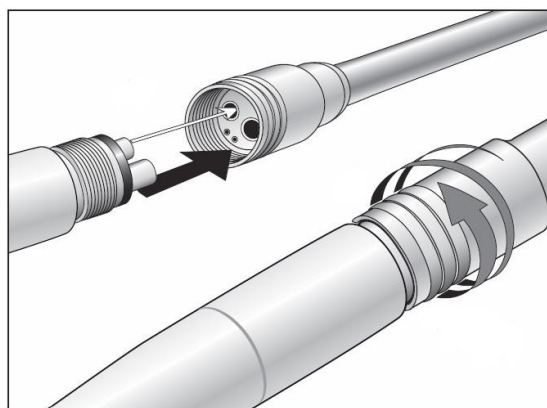
(3) Either a clear or amber (if CLS is to be used) PET pressure bottle is supplied, a used soft drink bottle may be used in an emergency situation, a new un-used bottle from iM3 is recommended to avoid splitting if using a pre used bottle.

(4) Amber coolant bottle for the use of CLS in the GS Deluxe. The user can switch between water and CLS (page 5 (L)).



## Getting Started

1. Attach all four castor wheels to the stainless steel base.
2. Loosen the stand height adjustment knob and lift the dental control box to working height. Tighten the stand height adjustment knob to secure.
3. Screw on the high speed handpiece and low speed waste collection container under the control panel, located behind the 3 way syringe grey cabling.
4. Fill the clear plastic water bottle at the back of the machine with distilled water and screw into the holder with the blue tubing, **Do not over tighten.**
5. Fill the amber plastic bottle with the CLS Concentrate Solution (8.5oz or 250 ml) and dilute with distilled water (25.4oz or 750ml) to make a 33.82 oz or 1 litre solution. Screw the bottle into the holder with the green tubing. **Do not over tighten.**
6. Place the 3 way air/water syringe in its handpiece holder—center position.
7. Connect the handpieces by screwing them to the grey handpiece air/water line and place in correct handpiece holder labeled on the dental system. Page 5 (D) and (I)



8. Connect quick disconnect line (grey plastic), to open/close compressor outlet tap (See page 28),
9. Plug the unit into an electrical outlet and turn power board ON.



## Getting Started

11. Turn on the compressor and allow to pressurize, (see page 24.).
12. Make sure your compressor is set to deliver the correct working pressure. The air pressure regulator gauge should read 80 psi (5.5Bar). If adjustment is required, please see page 27 for compressor pressure adjustment instructions. The pressure is set at the iM3 factory.
13. Place the foot control pedal on the floor in front of the unit. The foot pedal operates the High and Low speed handpieces when depressed.
14. Check handpiece operation:
  - a) Select **HS** on the Toggle, Remove High Speed Handpiece from holder and depress handpiece foot control pedal—handpiece should now operate. Page 5 (C)
  - b) Select **LS** and Remove Low Speed Handpiece from holder and depress handpiece foot control pedal—handpiece should now operate. Page 5 (C)
15. Adjust individual handpiece pressure if required, (see page 19). Each handpiece—Low speed and high speed has a specific pressure requirement.
16. Pressurize water system by moving the water system switch to ON, located on the back of the control panel. (see page 6)  
**Important. When filling distilled water and/or CLS Enviro bottles de-pressurize the water system, (see page 10.).** Check water and air supply to the 3 way air water syringe. Depress the right hand button for air and left hand button for water or both together for mist.
17. Water volume. Remove high speed handpiece, from holder and depress foot control pedal. Adjust water spray volume to a fine mist by rotating the flow control knob. (see page 5 “H”)

***Please observe manufacturers handpiece maintenance instructions for handpiece longevity.***



## iM3 Distilled Water and CLS Enviro Solution Supply

Each iM3 dental system is supplied with an amber or clear water bottle which should be filled only with distilled water to assist in preventing mineral or bacteria build up in the handpieces. This water bottle supplies the high speed handpieces, 3 way air water syringe and ultra sonic scaler coolant outlet .

The CLS Enviro Solution supply and water system allows you to choose between distilled water or CLS Solution at the flick of a switch, depending on the dental procedure you wish to perform. The CLS solution contains chlorhexidine which is light sensitive and should be kept in the amber bottle provided.

The coolant system for your iM3 dental system, has been preset at 25 psi.

### Refilling Coolant Bottles

To refill the distilled water or CLS solution, flip the pressure switch on your dental system to OFF - depressurizing the system. After the system has been depressurized, unscrew the bottle and refill with either distilled water or CLS Solution. After filling the coolant bottle screw it back into the holder and flip the pressure switch to ON, repressurizing the system. DO NOT OVERTIGHTEN THE BOTTLES.

Please Note: When the day's dental procedures are complete, flip the ON/OFF pressure switch to the OFF position, depressurizing the coolant bottles for storage.

### Cleaning

Bottles maybe sterilized with ethylene oxide or by chemical sterilization.



### Here's what Dr Jeanie Hawkins, DVM, Diplomat AVDC had to say about CLS Solution and the Auto Flush System.....

"Having CLS Solution at my fingertips to flush periodontal pockets is a real plus. iM3® is the only Company to address the problem of cleaning the airlines and high speed handpieces of scalers by using a moment button to release CLS Solution into the airline."

## **iM3 Filtration System**

### **Water and CLS Enviro Solution Supply**

Inline filters in the supply bottles help prevent particles from entering the system and blocking handpieces. These filters are located in the distilled water and CLS Enviro bottles.

The inline filters will need to be checked and replaced if they appear dirty.

The use of distilled water is mandatory in the water bottles, as local water may clog the system and can corrode the brass valves in the system, apart from the risk of a bacterial build up.

**Note: Failure to use distilled water will void the warranty.**



### **iM3 CLS Flush System**

The turbine in most high speed handpieces continues to revolve for a few seconds after use and acts as a miniature centrifugal pump, sucking back air and water containing mouth viruses and bacteria into the head of the handpiece. The CLS flushing system can help to control this by supplying a quantity of CLS Solution into the air line of the high speed handpiece head, helping to sanitize the air line and handpiece.

To activate the flush, remove the High Speed Handpiece from its holder and press the CLS flush button (**Page 5 “F”**) for one second. This will inject 1-2cc of CLS Solution into the air line. Press the foot pedal, holding the handpiece away from yourself and the dental system, as the CLS Solution is forced through the head of the handpiece under pressure. Excess CLS Solution will return down the exhaust line and be collected in the handpiece exhaust collection container.

*CLS Solution should remain soaking in the handpiece for 2 minutes, prior to reactivating the handpiece.*

**Note: The CLS flush system will never replace autoclaving of handpieces in-between patients to ensure complete sterilization—see page 22**

**Note: The use of other chlorhexidine solutions may cause crystal deposits in handpieces and valves. Use of such solutions will void the warranty. Do not dilute CLS beyond the recommended label instructions, as it may result in crystal deposits forming and block handpieces and valves. Chlorine in water will cause chlorhexidine to flocculate—use only distilled water.**

### 3 Way Air/Water Syringe

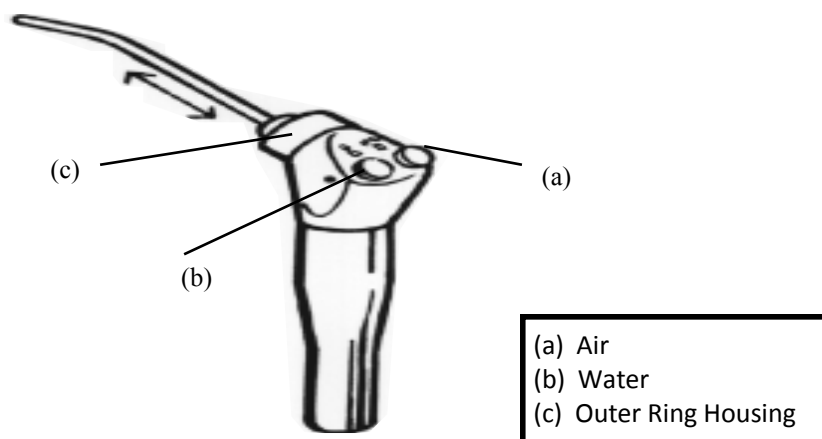
Right-hand button for air (a) and the left-hand button for water (b) and both for a fine mist (a & b).

The 3 Way Syringe is ideal for flushing away debris during prophylaxis or drying areas during endodontic procedures.

#### Tip Removal

The tip of the 3 Way Syringe may be removed for cleaning and autoclaving.

Simply depress the outer ring housing (c) and remove the tip. (See diagram below).



### Ultrasonic Scaler Coolant Outlet

The Ultra Sonic coolant outlet is located on the back of the control box. Page 6 #2

This outlet provides coolant under pressure for an ultrasonic scaler. Water or CLS can be selected on the GS Deluxe.

## iM3 Advantage Low Speed Handpiece L6200

The low speed handpiece features include a light weight balanced profile and smooth swivel action. Its vane type power system is quiet and vibration free. The motor accommodates both doriot or ISO heads and its powerful torque is suitable for all low speed procedures. The Low speed Motor operates at 20,000 RPM with delivery pressure of 40 psi.



### Operation Recommendations

**Air pressure** The dental unit air pressure should be adjusted to be 40 psi. See page 16

**Lubrication** To assure optimal performance and life the handpiece should be lubricated daily with MD-30 oil lubricant. Instructions for lubrication are found on page 20.

**Air supply** Moist or dirty air from the compressor can cause damage. Check the regulator filter regularly. If dirt or moisture is present, replace the regulator filter and bleed the system, to remove water or oil.

### Installation Instructions

1. Preset the air pressure to 40 psi (see page 16)
1. Connect the low speed handpiece to the grey handpiece line
2. Fit the 4:1 Advantage straight nose cone. Attach the Blue R&R oscillating prophyl head
3. Depress the foot control fully to operate the low speed handpiece

**Note:** Polishing should be carried out at 5,000 rpm or less. This can be accomplished by running the motor at full revs (20,000 Rpm) and use a 4:1 reduction head, to achieve 5,000 revs, maintaining torque.

## iM3 Low Speed Handpiece Attachments

### (1) 4:1 Advantage Straight Nose Cone Attachment L6250

The reducing head is designed for polishing (prophy). The speed of the polishing cup should be maintained at less than 5,000 r.p.m. The reducing attachment therefore allows the motor speed and torque to be maintained while reducing the polishing speed. iM3 disposable oscillating prophy angles are fitted to the SNC. They won't trap muzzle hair, or generate excessive heat.

**(iM3 R&R prophy cup Code L7465)**



### (2) 1:1 Straight Nose Cone Attachment Blue Band

For (HP burs) and the use with the iM3 rodent kit. This includes a soft tissue protector with diamond bur and diamond disc.



### (3) Diamond Saw Attachment

This saw blade may be single or double sided and operates in the 1:1 attachment blue band straight nose cone on the low speed handpiece. It should always be used with a guard.



### (4) Prophylaxis Paste

iM3 recommends the use of iM3 R&R individual tub prophylaxis paste. The paste contains no fluoride or flavor oils. It is a medium grit suitable for use with the R&R prophylaxis cups.



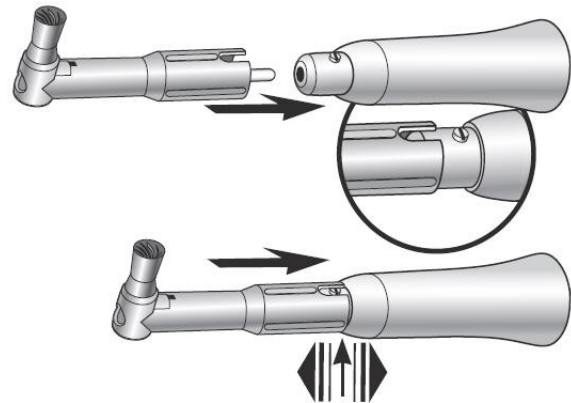
## Advantage Low Speed Motor and 4:1 straight Nose Cone

See operating instructions supplied with iM3 low speed handpiece

### Fitting R&R Prophy Cups (L7465)

Place the R&R prophy angle over the chuck housing on the 4:1 SNC making sure the slot in the R&R lines up with the small screw in the side of the chuck housing.

See picture to right.



## High Speed Handpiece

### Advantage HS HP L5100



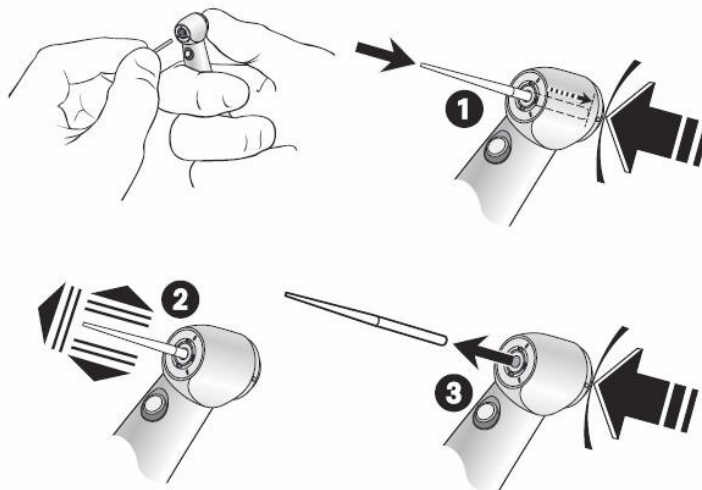
### Push Button

The High Speed Handpiece is designed to operate at a pressure of 40 psi at the handpiece and at speeds of up to 350,000 rpm. A very light touch is necessary as handpieces operate with very low torque and high speed. Pressure on the handpiece of 30gms (1ounce) or more, will cause the bur to stall.

**Note:** All handpieces should be lubricated prior to use with iM3 MD-30

### Bur Replacement - Push Button

1. Activate the press button and at the same time insert the bur until it reaches the limit stop
2. Check secure location by applying slight axial tension.
3. Remove the bur by pushing the pres button.



**!!! WARNING !!!**

**Read Operating Manual supplied with Handpiece before using.**

**iM3 Dental Systems**

## Optional - iM3 LED advantage High Speed Handpiece



### iM3 LED Advantage handpiece L5200

The unique LED advantage generates its own LED light. It can be fitted to any brand of dental machine, regardless of whether your unit is already equipped with Fibre optic light or not. The bright white light allows you to see in the mouth.

#### The main advantages at a glance:

- LED placed directly on the treatment site providing the largest illumination area of any dental instrument on the market,
- light weight, robust (shock resistant) and extremely powerful
- LED provides daylight-quality, neutrally-coloured white light at 22,000 Lux
- completely sterilizable handpiece
- lifespan 10 times longer than conventional halogen light sources,
- Patented Hygiene system, prevents the suck back of aerosols and microparticles into the turbine
- LED light independent from the power supply of the dental unit.
- The LED handpiece can be fitted to any brand of air driven dental machine with or without fibre optic lighting.
- ◆ Comprehensive 1 year warranty on handpiece including the turbine.



Unretouched photo.



## iM3 Autoclavable Bur Kits

There are three Bur Kits in the iM3 range, the F.G. Dog (Friction Grip), F.G. Cats, and H.P. (Handpiece Burs). Each kit contains 10 burs of various sizes and applications. Each bur has been selected by a specialist Veterinary Dentist. Each iM3 Bur Kit comes complete with a suggested application guide. Each bur carries individual re-order codes and can be ordered in packs of five. The blue holder is autoclavable and prevents the burs from falling out.



Feline FG Bur kit  
(Order code) D7530



Canine FG Bur kit  
(Order code) D7510



HP Bur kit  
(Order code) D7540



The iM3 Rabbit/Rodent Soft tissue kit comes complete with Long diamond bur and soft tissue protector and diamond disc with safety shield. Complete Kit (optional)  
Code: AUS D2245 & US D9245

The soft tissue kit should be used on an iM3 1:1 straight nose cone - Blue

## iM3 Handpiece Pressure Adjustment

### Handpiece Pressure Adjustment

Each Handpiece should be set to a specific pressure. The Handpiece Pressure Adjustment is located underneath and to the rear of each Handpiece holder, and is a small knurled knob.

Turn your unit on and select the Handpiece (high or low speed) to be adjusted, remove from a holder and depress the foot pedal. Turn the adjustment knob until the desired pressure is displayed on the handpiece pressure gauge pictured below.

Low speed hand-  
piece holder



3 way syringe  
holder

Low speed pressure  
adjuster

**PRESSURE IS READ  
ON THE HANDPIECE  
PRESSURE GAUGE**



**Low Speed Handpiece**  
40 psi

**High Speed Handpiece**  
35 psi (Code L5100)  
LED HS HP 40psi (Code L5200)

**NOTE:** Check that the pressure on the Compressor Regulator is set at 70 p.s.i. or 5 BAR.

**iM3 Dental Systems**

## Lubrication of HS & LS Handpieces L5100 & L6200

**Refer to separate handpiece manual.**

All handpieces should be lubricated regularly. We recommend the use of MD-30 handpiece oil before use and after 30 minutes of running time.

The foot pedal should be depressed for 30 seconds after oiling to ensure the lubricant will reach the turbines and working portions of the handpiece.

The lubricant is placed in the smaller of the 2 large holes.  
“Air entry hole” at the base of the handpiece.



**Maintenance instructions are printed on  
the back of the dental machine**

NOTE:

DON'T FORGET TO DEPRESS  
THE FOOT CONTROL AFTER  
OILING TO ENSURE LUBRICANT  
REACHES THE TURBINES.



## Sterilization

### Refer to handpiece operating manual.

#### HIGH SPEED HANDPIECE

Handpieces should be thoroughly cleaned to remove any foreign particles, eg; blood, saliva etc. Make sure that the turbine cartridge and head cavity are clean before autoclaving. If autoclaved with bloody particles in the turbine housing, autoclaving will cause particles to be scorched and damage to the turbine may result.

The exterior of the handpiece may be cleaned with any good surgical disinfectant. Be sure to rinse and dry thoroughly. Lubricate handpiece turbine with MD-30 Lubricant. Refer to handpiece operating manual.

#### LOW SPEED HANDPIECE

Prepare handpiece and attachments for sterilization by carefully cleaning the exterior surface. Thoroughly scrub, rinse and clean away any residual solution and particles. Remove moisture with a towel or use air from the 3 way air water syringe.

1. Prior to sterilization, lubricate the handpiece using MD-30 Lubricant.

HANDPIECES: Apply oil through the handpiece air inlet tube. (see page 17)

ATTACHMENT: Remove attachment from handpiece and oil through both end openings.

**Note:** *After lubricating items, assemble and operate for a few seconds to expel excess lubricant.*

2. Seal items in sterilization tubing bags. Make sure to remove bur from handpiece prior to sealing.
3. Place handpiece or attachments in sterilization trays of dry heat sterilizer or steam autoclave. Do not exceed temperatures of 275°F or 135°C. Sterilize according to manufacturers instructions.
4. After sterilization cycle is completed, allow handpieces and attachments to cool down then lubricate handpiece and attachments thoroughly. Make sure to use a different container after sterilization cycle, to prevent recontaminating.

**Note:** Lubricate handpieces using MD-30 Lubricant after cooling down, do not allow handpiece to sit in sealing bag overnight or for a long period. Immediately operate handpiece as described in the following step.

5. After lubricating items, insert bur into handpieces and operate for a few seconds to remove excess lubricant.

**Do not autoclave the high speed handpiece with a bur in the chuck.**

## The Need to Flush HP Air Lines

A BBC Panorama television program highlighted some very disturbing facts relating to Human Dentistry and the HIV virus (FIV and FeLV behave in a similar fashion).

NOTE – Universities store their research FIV virus in glycerine, the main ingredient in Prophy Paste.

1. High Speed Hand Piece Turbines still spin after the drive air has stopped (foot taken off the foot control) and act as a centrifugal pump and suck back air and water plus debris into the turbines.
2. The human aids virus can live in debris in Dental Hand Pieces for as long as 2 months.
3. An article in the British Medical Journal “the Lancet” showed that HIV Virus may live in the striations in Stainless Steel hand instruments.
4. Dr Leigh West-Hyde from Davis University in California said in the Manual of Small Animal Dentistry “one drop of saliva may contain up to 600,000 Bacteria” “a Spoon Excavator of dental Plaque may contain an average of 200 million Bacteria”. “The under surface of a fingernail can harbor residual blood and bacteria for up to 5 days when gloves are not routinely worn”.
5. Autoclaving is the only sure way to sterilize Dental Instruments and Hand Pieces.
6. Feline aids virus is being reported in an increasing number of cats – up to 30% of the sick population.
7. Prophy heads washed under the tap after use still showed signs of blood coming from the drive mechanism (TV program).

iM3 has developed a new solution and method of dispensing it into the air and water lines of Veterinary Dental Units. It may also be used in the water system of Ultrasonic Scalers.

CLS is designed to mask the smell coming from animal’s mouths, drilling of tooth enamel and bone. It will reduce bur cutting time by up to 10% and improve bur life.

A 0.12%Chlorhexadine (CHX) has been added as a preservative as the solution contains Glycerine. The CHX at 0.12% is the strength recommended by most veterinary dental experts for use in the mouth with animals. The CLS solution uses distilled water and will not clog valves, block HP, or lines in Dental System, whether air driven or ultrasonic.

The new delivery and flushing system is designed to deliver CLS solution to the HP. There are certain instances where CHX should not be used, in the ear etc. In this instance the system is then switched back to the standard water supply, or for prolonged periods in cats, as they are sensitive to CHX, always pack the back of the throat to prevent debris or solution going down the throat.

Flushing with CLS is through the HP air lines (not water lines as normal) a moment switch is held of 1 second, approximately 1ml of CLS solution then enters the HP air lines. The HP is removed from its holder and the foot control pushed. This will flush the CLS through the HP, any orifices in the HP head and then return the bulk of the solution through the exhaust line to the collection bottle.

For complete bacterial removal, dismantling and autoclaving is the only sure method. Remember one new Prophy cup per patient, we recommend R & R oscillating prophy heads.

The Glycerine in the CLS solution will also aid in the lubrication of the turbines. Tri flo Teflon lubricant should still be used for lubrication.

## Handpiece Maintenance

All Handpieces have a working life which can be extended by maintaining the correct operating pressures and speeds as well as adequate lubrication.

The working life of most Handpieces turbines is 12-24 months, however, this will depend upon the degree of care taken and the amount of use.

Preventative maintenance will ensure a working Handpiece at all times.

Handpiece	Daily	Weekly	Monthly	Yearly
<b>iM3 Low Speed Handpiece</b> Oil in smaller of 2 big holes. Depress the foot pedal for 10 seconds to ensure the oil reaches the Turbine (page 17)	Oil AM or PM before or after use. 2-3 drops Use iM3 MD-30 Lubricant.			Replace turbine and 'o' rings and sealing gasket. If worn
<b>iM3 High Speed Handpiece</b> as per the instructions for the Low speed above. Page 17.	Oil AM or PM before or after use. 2-3 drops Oil with MD-30 Lubricant.			Replace turbine and 'o' rings and sealing gasket. If worn
<b>Prophy Head R&amp;R Oscillating</b>	Dispose of prophy head between patients to prevent cross contamination			

# Silent Hurricane Compressor

## Oil Free

The compressor is perhaps the most crucial part of any dental system as it supplies the valuable air needed to run handpieces and pressurize the water and cooling system.

The regulator/pressure gauge should be set to read 70 p.s.i./5 BAR. The tank pressure gauge should read 110 p.s.i./7.5 BAR. See page 27

### Operating the Silent Hurricane Oil Free Compressor

1. Connect the unit to the appropriate voltage.
2. Check that the air tank on/off valve is closed. See page 24.
3. Switch unit on at the mains (power outlet).
4. Turn unit on at switch situated on top of the pressure switch. See page 24.
6. Motor should now run and will stop running when 110 p.s.i./7.5 BAR. has been reached.
7. Connect the grey air line from dental unit to the compressor and turn air tank valve to the ON position. See page 28

### Identifying Air Leaks

To ensure the Silent Hurricane Compressor Motor is not subjected to higher than normal operating temperatures, each iM3 Dental unit should be checked for air leaks at regular intervals, the easiest way to check for air leaks is to pump the compressor tank up to 110 p.s.i./7.5 BAR. and turn the motor off. Make sure the air line to the dental head is connected and the tank valve left in the open position with the pressure switch for the water bottles also turned on.

Once the tank has been pumped to 110 p.s.i./7.5 BAR., check the pressure in the tank 10 minutes later. If the pressure has dropped more than 10% during that time then the unit is leaking air which should be identified and remedied to ensure the compressor motor does not overheat due to excessive running caused by the air leak.

Model: Silent Hurricane Oil Free compressor

Voltage: 220-240 50Hz

900W

Maximum operating Pressure 110psi (770KPa)

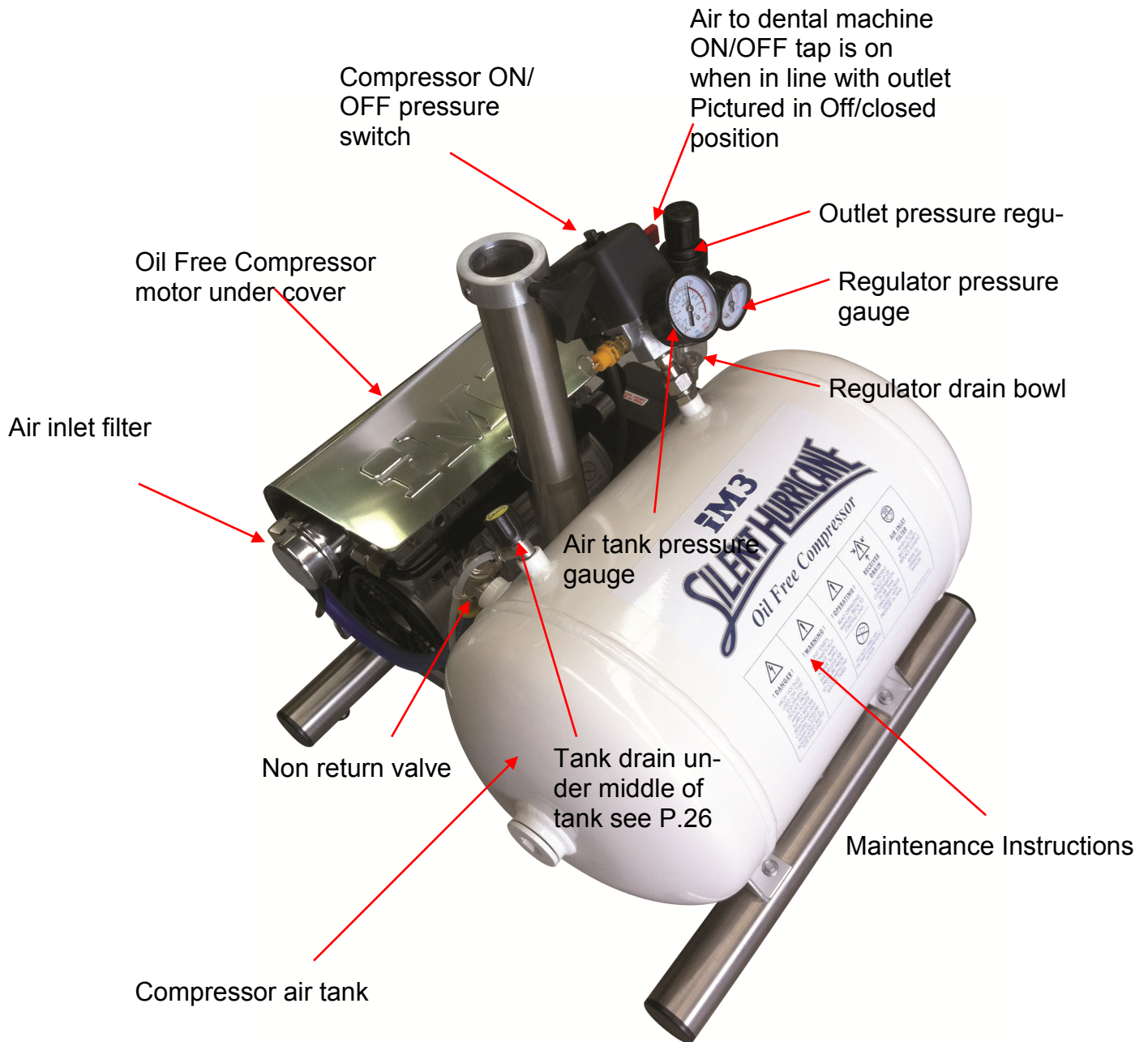


Manufactured By: iM3 Pty Ltd, Sydney Australia.

**iM3 Dental Systems**

## iM3 Silent Hurricane Oil Free Compressor

**Circuit breaker located on the side of Black electrical box.  
Push to Reset**





## Silent Hurricane Compressor

### Adjusting Regulator Air Pressure

With the Dental Unit pressurised and air lines turned ON, the black knob on top of the regulator is pulled up from the locked to the free position to adjust air pressure (see picture page 26). Depress the black knob after setting to lock pressure adjustment.

The regulator gauge registers working or air line pressure which may be increased by turning clockwise and lowered by turning anti clockwise.

The pressure air line gauge will register the working pressure, which should be 70 p.s.i./ 5BAR..



#### **Warning**

Unit starts automatically. Isolate power supply and relieve air pressure by opening tank ON/OFF valve prior to commencing non electrical service tasks.

**This appliance is not intended for use by persons (including children) with reduced physical, sensory or mental capabilities, or lack of experience and knowledge, unless they have been given supervision or instruction concerning use of the appliance by a person responsible for their safety.**

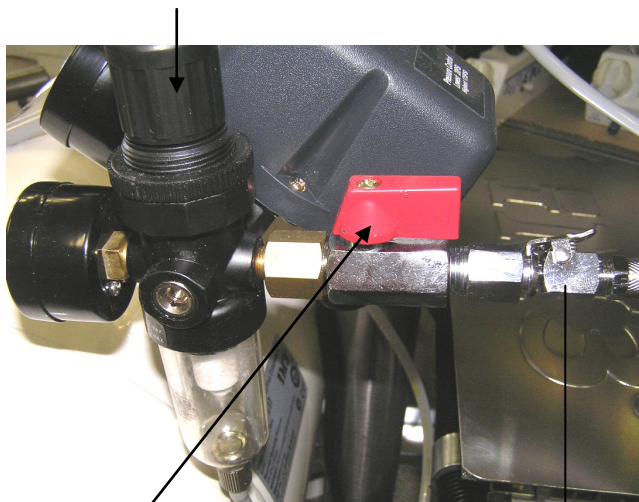


#### **Danger**

High voltage used on this equipment.  
Isolate from mains before removing any covers, which should only be carried out by a qualified electrician .  
Ensure power outlet is adequately rated for this unit.

Feature	Daily	Weekly	Monthly	Yearly
<b>Silent Hurricane Compressor</b>		Turn power off. Drain moisture from main compressor tank by opening the valve on the top of the white tank marked with a yellow sticker—Drain. Catch the fluid from the white drain tube into a container. Keep the drain open until all air is removed from tank. <b>See image below</b>		Change air inlet filter on compressor motor.
<b>Regulator - Auto Drain Filter</b>	Automatic, when tank drained of moisture			Replace regulator filter.
<b>Regulator - Air Pressure</b>	Check that correct air pressure is being delivered.	See Adjusting Regulator Air Pressure on Page 25.		
<b>Contact iM3 for your yearly compressor service kit.</b>				

Compressor air regulator adjustment knob



Air ON / OFF (valve pictured in ON or open position)

Air inlet quick disconnect line, supplying air to dental machine



Compressor tank drain, located on-top of white air tank—**open slowly**  
Place container under white tube to collect water.

## Handpiece Trouble Shooting

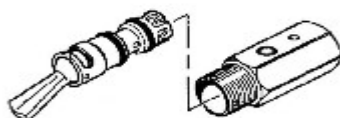
### High Speed Handpiece

PROBLEM	CAUSE	SOLUTION
<b>No Water Flow in Handpiece</b>	<ol style="list-style-type: none"> <li>1. Compressor not ON.</li> <li>2. Water Flow Control not ON (P4-E).</li> <li>3. Water/CLS Bottle Empty.</li> <li>4. Check for a 'kink' in the water line.</li> <li>5. Check if 3 way syringe has Water.</li> <li>6. Use of tap water, blocking water valves.</li> <li>7. Low regulator pressure.</li> </ol>	<ol style="list-style-type: none"> <li>1. Turn compressor ON and check that ON/ OFF tap is in the ON position.</li> <li>2. Turn water control to ON.</li> <li>3. Fill water/CLS Bottle(s).</li> <li>4. Check lines and pressure.</li> <li>5. If yes, lack of water must be in the valves or the handpiece. The 3 way syringe is the quickest way to check for water.</li> <li>6. Valves will need replacing.</li> <li>7. Check regulator is set at 70 PSI.</li> </ol>
<b>Mineral Accumulation</b>	<ol style="list-style-type: none"> <li>1. Use of tap water - mineral or chemical action blockage will usually take 3-4 years to occur.</li> <li>2. Verdigrase (Green Slime) build up in brass water valves due to chemical reaction with tap water.</li> </ol>	<ol style="list-style-type: none"> <li>1. Pass a fine wire through the water intake hole. Pass another fine wire through the hole in the handpiece head. Pass the wire as far as possible each way. 'Blow out' the loosened mineral deposits.</li> <li>2. Replace valves.</li> </ol>
<b>Use of Chlorhexidine</b>	<ol style="list-style-type: none"> <li>1. Most brands of Chlorhex will deposit out of solution and block valves, etc. CLS is designed to be used in its diluted strength without depositing. NOTE: Do not dilute CLS beyond its label recommendations or it could result in deposits.</li> <li>2. Chlorine in tap water will cause a flocculation and block filters and valves</li> </ol>	<ol style="list-style-type: none"> <li>1. Contact your local Official Service Center.</li> <li>2. Contact your local Official Service Center. Use only distilled water</li> </ol>

### Cartridge Toggle

#### Toggle switches become floppy

All iM3 dental units use a unique cartridge system for the toggle switches. The toggles are used to pressurize the water/CLS bottles and select the low or high speed handpiece. When the o-rings become worn you simply push the cartridge in and turn a 1/4 turn anti clockwise. The cartridge can then be removed from the valve casing. To install a new toggle, locate the desired position, push and rotate a 1/4 turn clockwise. New toggles can be ordered from iM3 and installed by the user. Toggles can be installed in the 12, 3, 6 and 9 o'clock positions. If the toggle is in the wrong position simply remove and reposition. View this procedure on the iM3 website [http://www.compad.com.au/cms/im3vet/pages/iM\\_elite\\_film/222](http://www.compad.com.au/cms/im3vet/pages/iM_elite_film/222)



## Handpiece Trouble Shooting

### Low Speed Handpiece

PROBLEM	CAUSE	SOLUTION
Handpiece won't run	<ol style="list-style-type: none"> <li>1. No or low air pressure.</li> <li>2. Air line improperly sealed.</li> <li>3. Inferior oil; too much or excess more commonly too little oil or water in the turbine.</li> <li>4. Broken drive head.</li> </ol> <p>Note new handpieces require a "Run in time" this can be up to 20 hours of use</p>	<ol style="list-style-type: none"> <li>1. Check the air line to be sure the air is turned on and the line is unobstructed.</li> <li>2. Reconnect air line to handpiece making sure the gasket is fully contracted.</li> <li>3. See lubrication instructions on page 17.</li> <li>4. Contact your local iM3 official Service Centre.</li> </ol> <p>If the motor stops spinning place a fine screw driver down the nose and rotate shaft.</p>

### Low Speed Handpiece - 4:1 Straight Nose Cone

PROBLEM	CAUSE	SOLUTION
Cant fit R&R proph angle	<ol style="list-style-type: none"> <li>1. Plastic drive shaft broken off internally in Chuck housing.</li> <li>2. Improper lubrication.</li> </ol> <p>Only fit plastic iM3 R&amp;R proph angles Code L7465.</p>	<ol style="list-style-type: none"> <li>1. Contact your local official iM3 Service Centre.</li> <li>2. See lubrication instructions, on page 17.</li> </ol>

iM3 Inc  
 12119 NE 99th Street Suite 2060  
 Vancouver WA 98682 USA  
 Tel (360) 254 2981 Fax (360) 254 2940

iM3 Pty Ltd  
 9/31-33 Chaplin Drive  
 Lane Cove NSW 2066 Australia  
 Tel (02) 9420 5766 Fax (02) 9420 5677

[www.im3vet.com](http://www.im3vet.com)